

SEAL

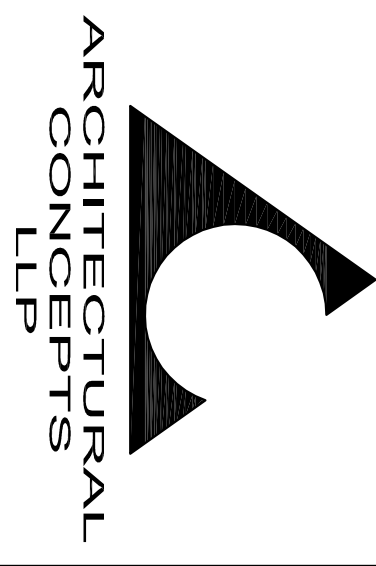
OWNER

CONSULTANT

CONSULTANT

CONSULTANT

ARCHITECT



ARCHITECTURAL CONCEPTS LLP
The Official Historian of Oakleaf Community Center
628 West Lincoln Highway, Fort Lauderdale, FL 33311
Phone: (954) 575-1100
Fax: (954) 575-1101
Email: info@architecturalconcepts.com
www.architecturalconcepts.com
Theodore A. Koudoukoulas, Jr., AIA
James L. Cherry II, AIA

PROJECT
THE FAVORITES AT TOMS RIVER
BANANER DRIVE
DOVER TOWNSHIP
OCEAN COUNTY
TOMS RIVER, NJ 08755

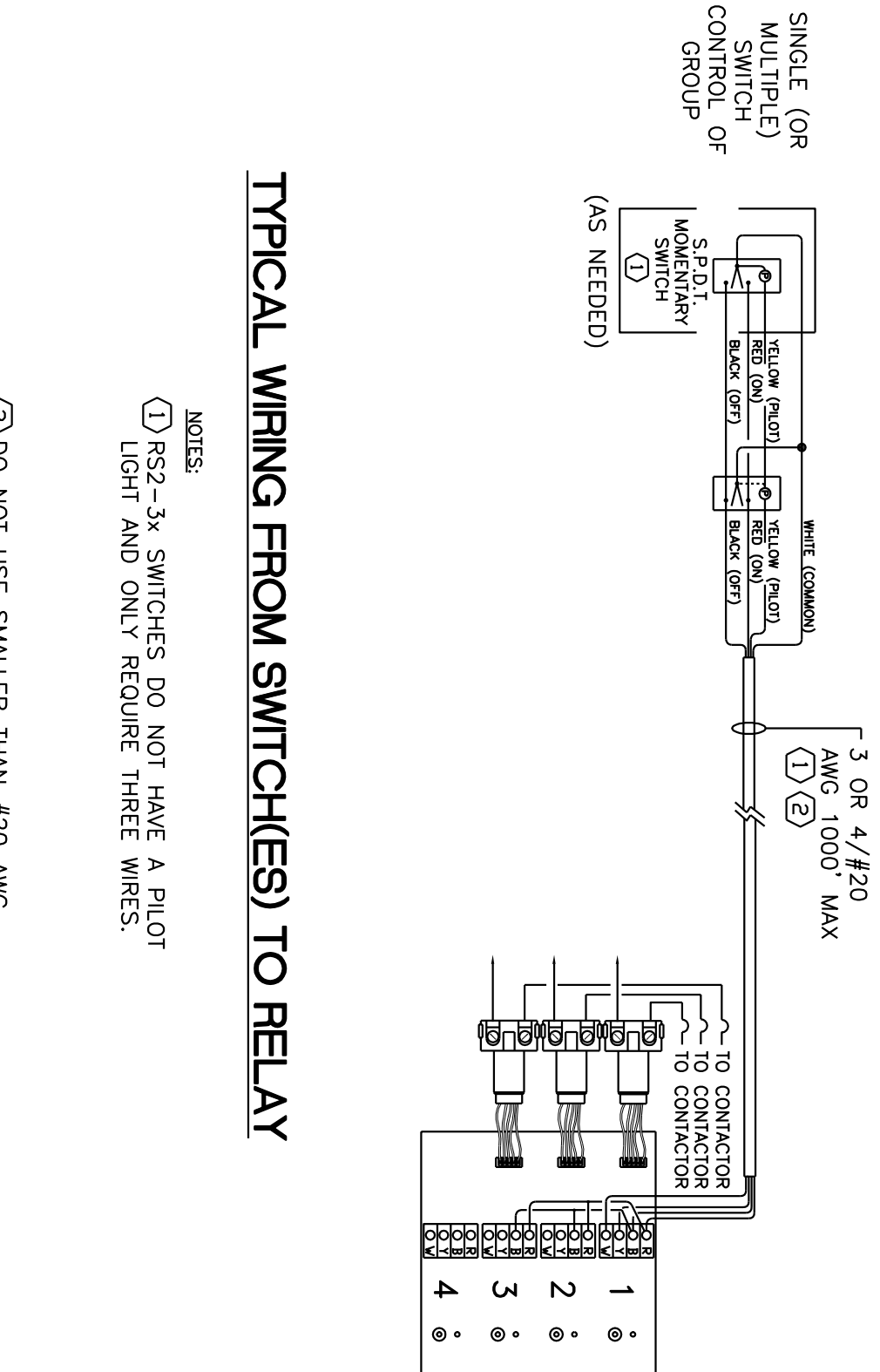
Table with 2 columns: No., Date, Revision. Contains revision history for the drawing.

ELECTRICAL DETAILS

Drawn By: DMS
Checked By: JAC/DBP
Project No: 114306
Date: 30 APRIL 2007

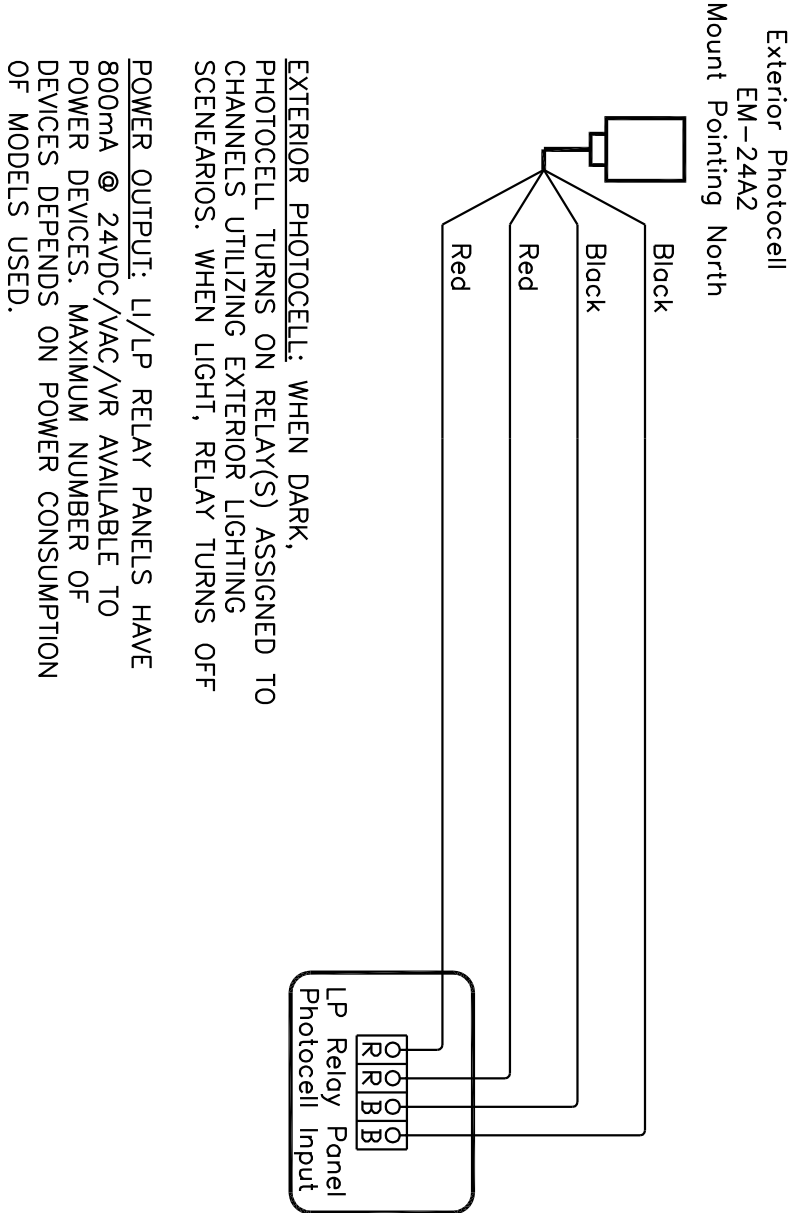
E7.0

SEAL



TYPICAL WIRING FROM SWITCHES TO RELAY

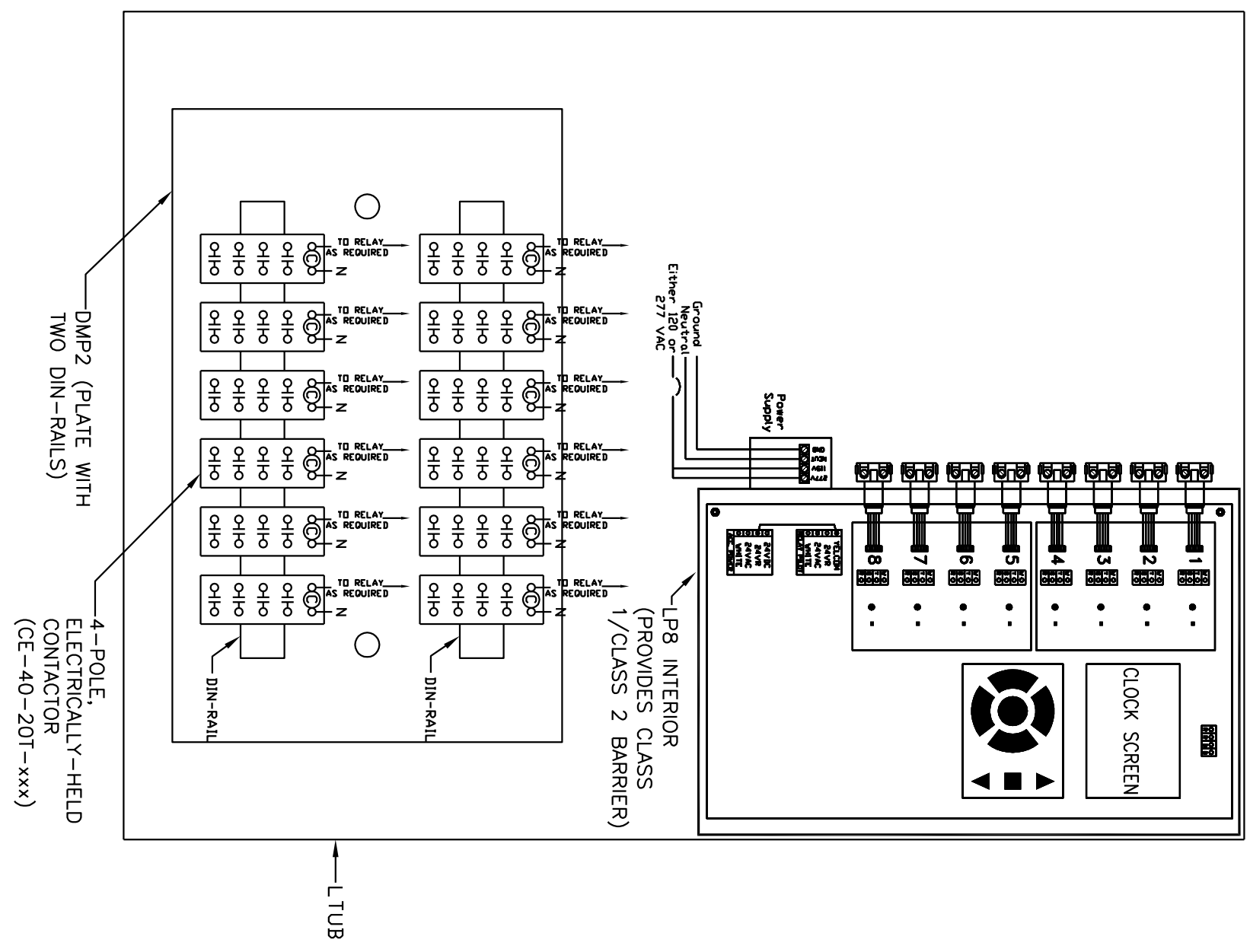
- NOTES:
1. SWITCHES DO NOT HAVE A PILOT LIGHT AND ONLY REQUIRE THREE WIRES.
2. DO NOT USE SMALLER THAN #20 AWG. 4 CONDUCTOR (#20 AWG) SWITCH WIRE IS AVAILABLE FROM WATT STOPPER/LEGRAND, HSWSP or HSWAP (FLEXIBLE RATED) HSSW3 or HSSW (NON-FLEXIBLE).



LP RELAY PANEL PHOTOCELL CONNECTION

- NOTES:
1. EXTERIOR PHOTOCELL WHEN DARK, CHANNELS UTILIZING EXTERIOR SCENARIOS WHEN LIGHT, RELAY TURNS OFF POWER OUTLET. U/A2 RELAY PANELS HAVE ROOM @ 24VDC/VAC/VR AVAILABLE TO POWER DEVICES. MAXIMUM NUMBER OF MODELS USED.

8-RELAY CAPACITY LP8 INTERIOR IN 24-RELAY CAPACITY ENCLOSURE WITH 4-POLE CONTACTORS

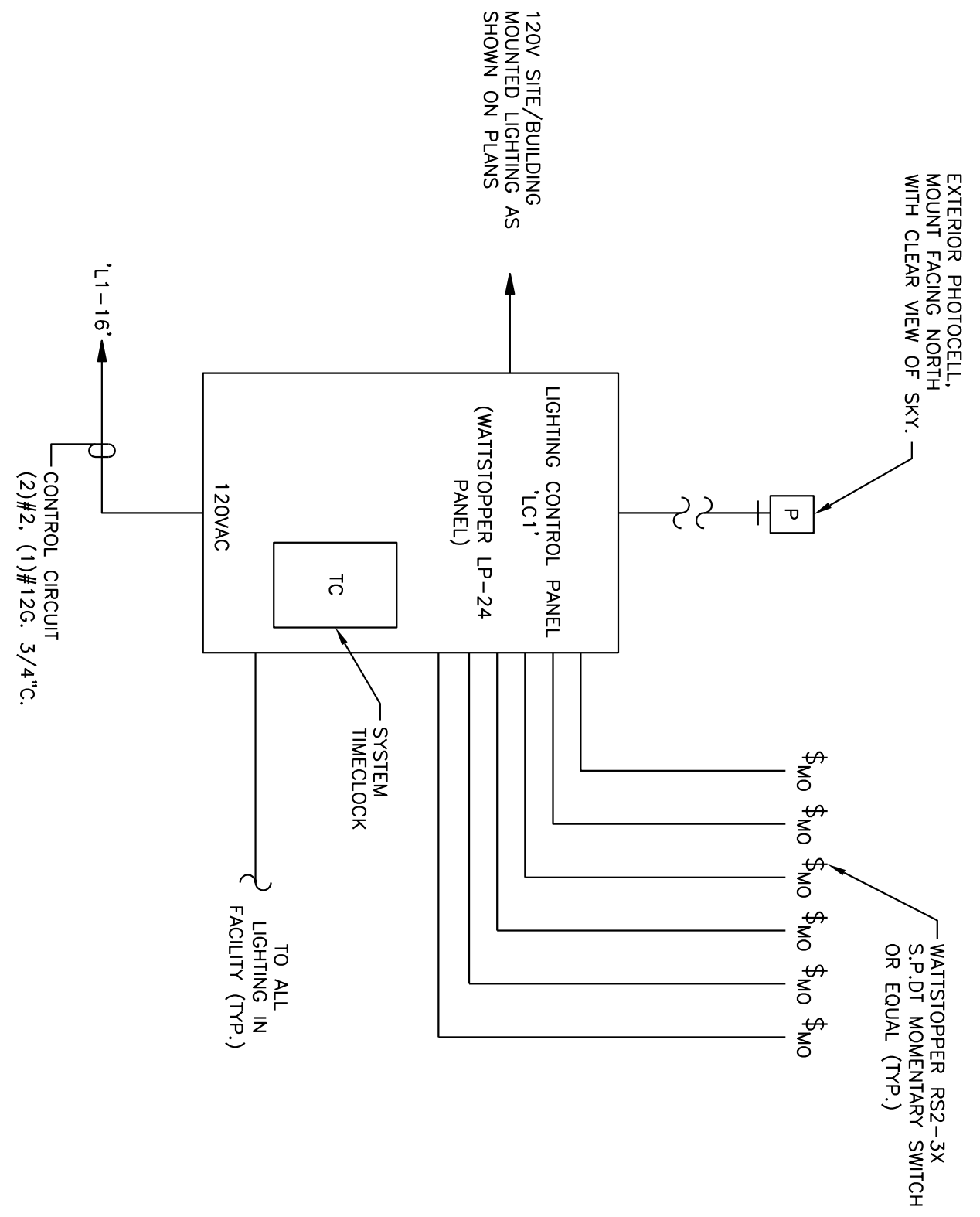


TYPICAL LP-24 CONTACTOR PANEL

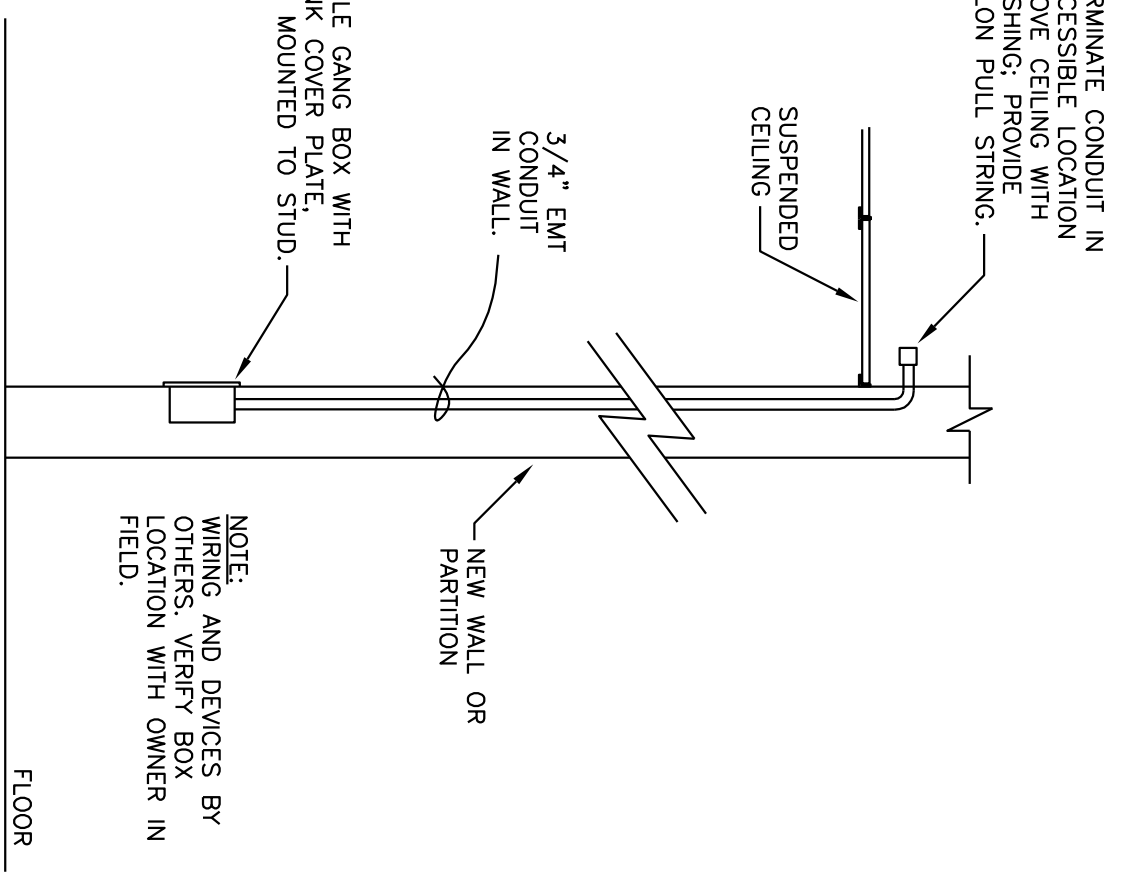
Table with columns: LOCATION, PANEL TYPE, MANUFACTURER, RELAY ZONE, DESCRIPTION/NOTES, OPERATION NOTES. Lists various lighting circuits and their configurations.

LIGHTING CONTROL PANEL 'LCI' SCHEDULE

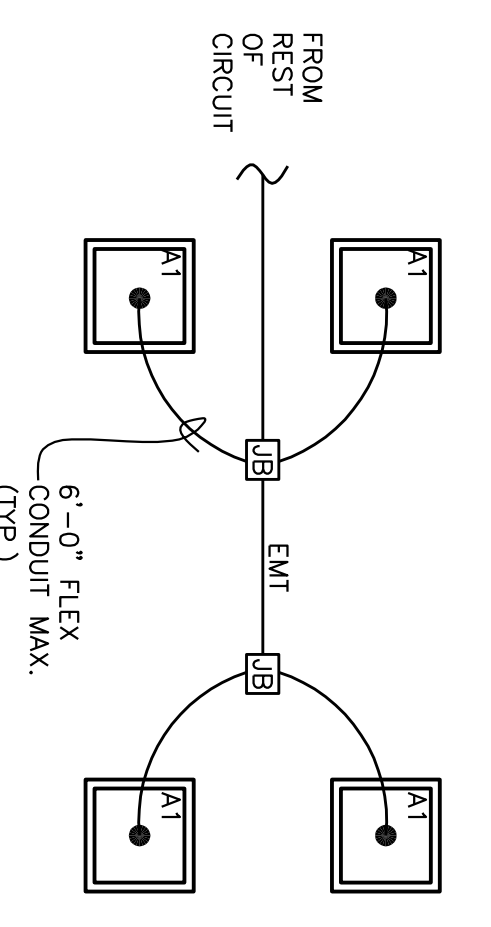
- NOTES:
1. WATT STOPPER SERIES 'LP24', 8 RELAY LIGHTING CONTROL PANEL.
2. PROVIDE RELAYS IN PANEL AS REQUIRED TO CONTROL LOADS AS INDICATED ON DRAWINGS PLUS MAX. (1) SPARE RELAYS.
3. PROVIDE PANEL WITH SYSTEM TIME CLOCK.
4. PROVIDE 4 POLE CONTACTOR IN PANEL FOR CONTROL OF EXTERIOR LIGHTS.
5. PROVIDE GROUP SWITCHING CIRCUIS IN PANEL AS REQUIRED.



LIGHTING CONTROL PANEL 'LCI' WIRING DIAGRAM



DATA/TELEPHONE DEVICE LOCATION MOUNTING DETAIL



TYPICAL LIGHT FIXTURE WIRING