

SEAL

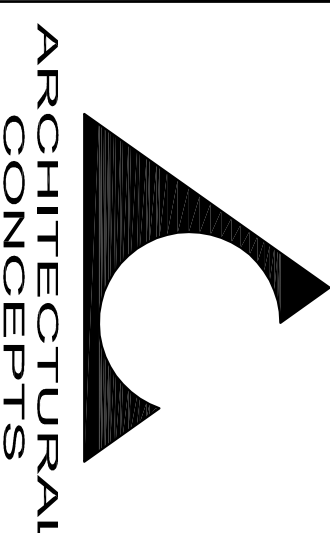
OWNER

CONSULTANT

CONSULTANT

CONSULTANT

ARCHITECT



Architectural • Planning • Interiors • Engineering
The General Manager of National Corporate Center
628 West Lincoln Highway • Eden, Pennsylvania 15841
Phone: 814-226-0024 • Fax: 814-226-0024
www.archconcept.com
Email: archconcept@archconcept.com

Thomas A. Wondolowski, Jr., AIA
James L. Cherry II, AIA

PROJECT

THE FAVORITES AT
TOMS RIVER

BANANIER DRIVE
DOVER TOWNSHIP
OCEAN COUNTY
TOMS RIVER, NJ 08755

REVISIONS

No.	Date	Revision
06-22-06	06-22-06	ISSUED FOR BIDDING
06-24-07	06-24-07	ISSUED FOR RE-BIDDING
06-21-07	06-21-07	ISSUED FOR CONSTRUCTION

Sheet Title:
**ELECTRICAL
SINGLE LINE
DIAGRAM**

Drawn By: JACOB

Checked By: JACOB

Project No: 114306

Drawn Date: 30 APRIL 2007

Drawn Scale: AS NOTED

Drawn By: JACOB

Checked By: JACOB

Project No: 114306

Drawn Date: 30 APRIL 2007

Drawn Scale: AS NOTED

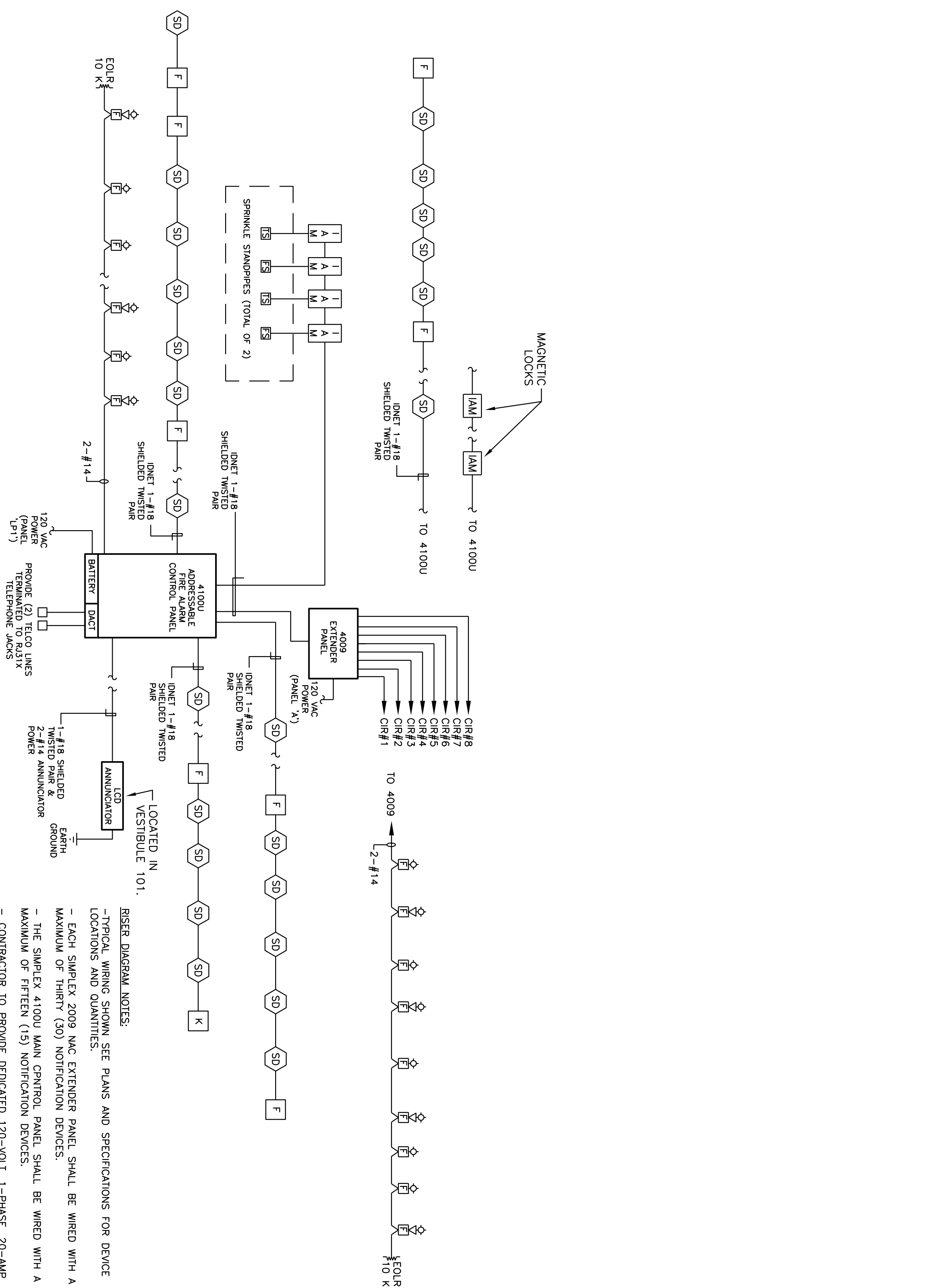
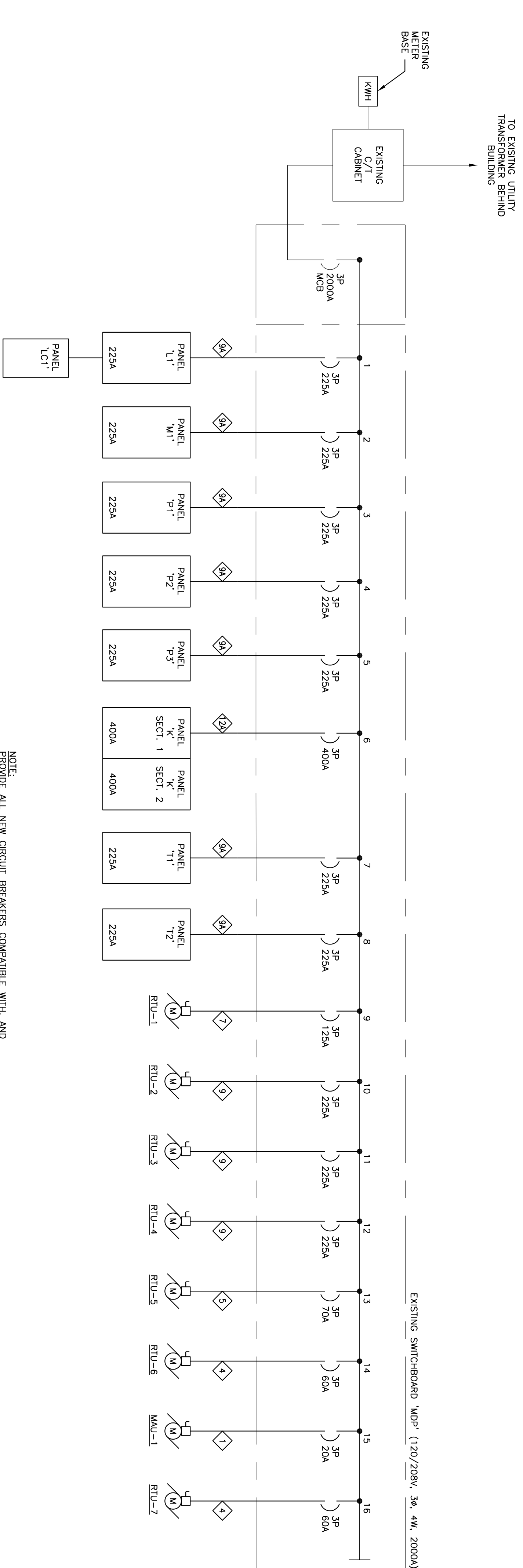
Drawn By: JACOB

Checked By: JACOB

TAG NO.	CONDUCTOR	GROUND	CONDUIT SIZE
1	3#1/2	1#1/2	3/4"
2	3#1/0	1#1/0	3/4"
3	3#8	1#10	3/4"
4	3#6	1#10	3/4"
4A	4#6	1#10	1"
5	3#4	1#8	1"
5A	4#4	1#8	1-1/4"
6	3#1	1#8	1-1/2"
6A	4#1	1#8	1-1/2"
7	3#1/0	1#6	1-1/2"
7A	4#1/0	1#6	1-1/2"
8	3#3/0	1#6	2"
8A	4#3/0	1#6	2"
9	3#4/0	1#4	2"
9A	4#4/0	1#4	2-1/2"
10	3-250KCMIL	1#4	2"
10A	4-250KCMIL	1#4	2-1/2"
11	3-350KCMIL	1#4	2-1/2"
11A	4-350KCMIL	1#4	2-1/2"
12	3/500KCMIL	1#1/0	3"
12A	4-500KCMIL	1#1/0	3"
13	2(3-350KCMIL)	2(1#1)	2(2-1/2")
13A	2(4-350KCMIL)	2(1#1)	2(3")
14	2(4-350KCMIL)	2(1#1/0)	2(3")
14A	2(4-350KCMIL)	2(1#1/0)	2(3-1/2")
15	4(4-350KCMIL)	4(1#3/0)	4(2-1/2")
15A	4(4-350KCMIL)	4(1#3/0)	4(3")

NOTE:
1. ALL NEW CIRCUIT BREAKERS COMPATIBLE WITH, AND
MATCHING MANUFACTURER OF EXISTING SWITCHBOARD.
NO SCALE

SINGLE LINE DIAGRAM



NOTE:
SINGLE LINE IS PROVIDED TO DEMONSTRATE THE FIRE ALARM
SYSTEM CONNECTIONS. THIS SHALL NOT BE USED TO FOR ESTIMATING
PURPOSES IN GENERATING BIDS.

FIRE ALARM RISER DIAGRAM

NO SCALE

REVISIONS

No.	Date	Revision
06-22-06	06-22-06	ISSUED FOR BIDDING
06-24-07	06-24-07	ISSUED FOR RE-BIDDING
06-21-07	06-21-07	ISSUED FOR CONSTRUCTION

Sheet Title:
**ELECTRICAL
SINGLE LINE
DIAGRAM**

Drawn By: JACOB

Checked By: JACOB

Project No: 114306

Drawn Date: 30 APRIL 2007

Drawn Scale: AS NOTED

Drawn By: JACOB

Checked By: JACOB

Project No: 114306

Drawn Date: 30 APRIL 2007

Drawn Scale: AS NOTED

Drawn By: JACOB

Checked By: JACOB

E5.0

Sheet 08 of 12